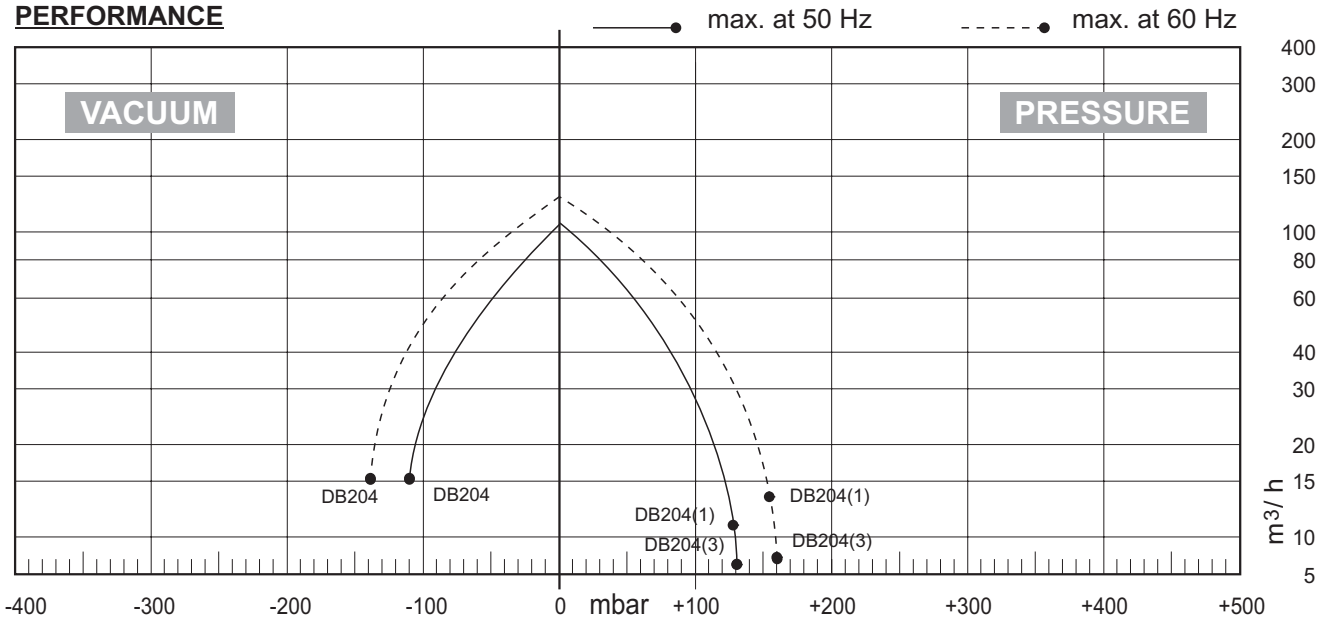


TECHNICAL DATA DB 204(1) 1-phase, DB 204(3) 3-phase

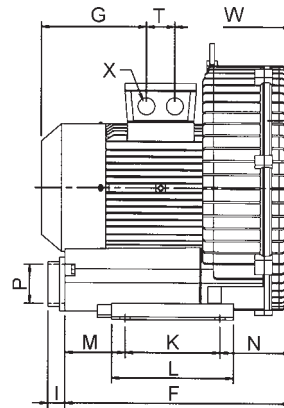
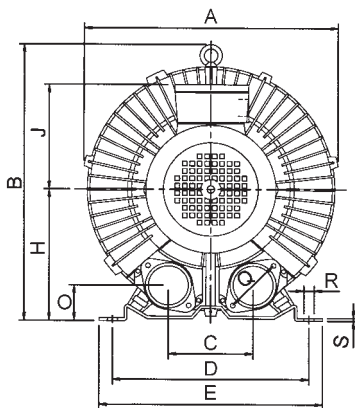
		50 Hz		60 Hz	
Power	DB 204(1)	0.4	kW	0.5	kW
	DB 204(3)	0.4	kW	0.5	kW
Voltage	DB 204(1)	230	V	230	V
	DB 204(3)	230/400	V	230/400	V
Current	DB 204(1)	2.8	A	3.5	A
	DB 204(3)	2.0/1.2	A	2.4/1.4	A
Rev's	DB 204(1)	2800	/min	3400	/min
	DB 204(3)	2900	/min	3500	/min
Noise level		58	dB(A)	61	dB(A)
Protection class		IP 54		IP 54	
Weight	DB 204(1)	12	kg	12	kg
	DB 204(3)	11	kg	11	kg



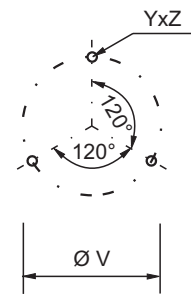
PERFORMANCE



DIMENSIONS



Dimensions in mm



A	B	C	D	E	F	G	H	I	J	K	L
245	249	92	205	227	226	119	130	29	115	83	108
M	N	O	P	Q	R	S	T	V	W	X	YxZ
70.5	72.5	40	1 1/4"	64	4xØ10	2.3	0	140	129	1/2"	M6x15