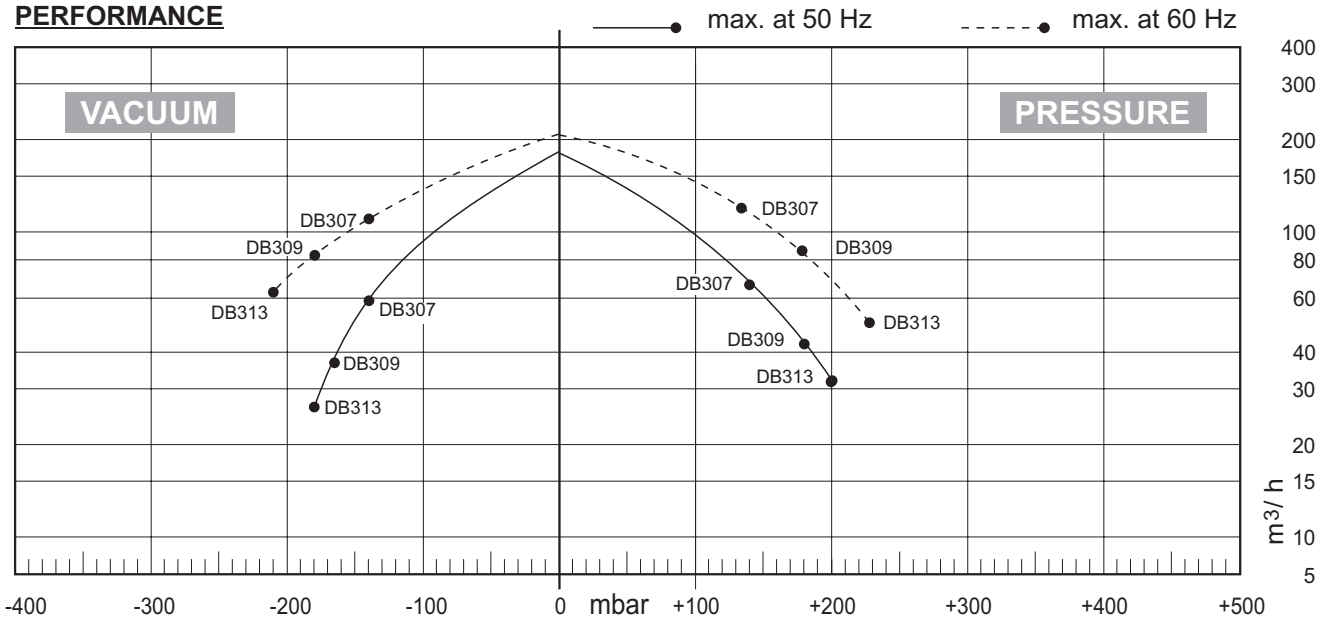


TECHNICAL DATA DB 307/309/313 three-phase

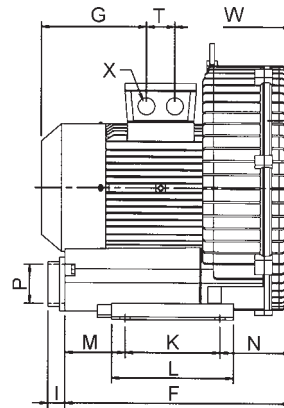
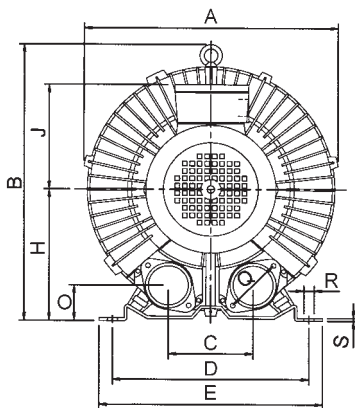
		50 Hz		60 Hz	
Power	DB 307	0.75	kW	0.9	kW
	DB 309	0.9	kW	1.1	kW
	DB 313	1.3	kW	1.5	kW
Voltage	DB 307	230/400	V	230/400	V
	DB 309	230/400	V	230/400	V
	DB 313	230/400	V	230/400	V
Current	DB 307	3.1/1.8	A	4.0/2.3	A
	DB 309	3.8/2.2	A	4.5/2.6	A
	DB 313	4.8/2.8	A	5.5/3.2	A
Revolutions		2900	/min	3500	/min
Noise level		63	dB(A)	64	dB(A)
Protection class		IP 54		IP 54	
Weight	DB 307	15	kg	15	kg
	DB 309	16	kg	16	kg
	DB 313	16	kg	16	kg



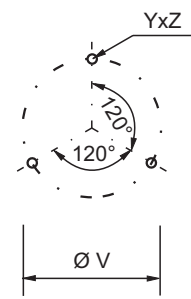
PERFORMANCE



DIMENSIONS



Dimensions in mm



Hole pattern front

A	B	C	D	E	F	G	H	I	J	K	L
284	300	115	225	253	238	107	152	0	124	95	130
M	N	O	P	Q	R	S	T	V	W	X	YxZ
68.5	74.5	42.5	1 1/2"	68	4xØ12	3	0	174	156	1/2"	M6x15