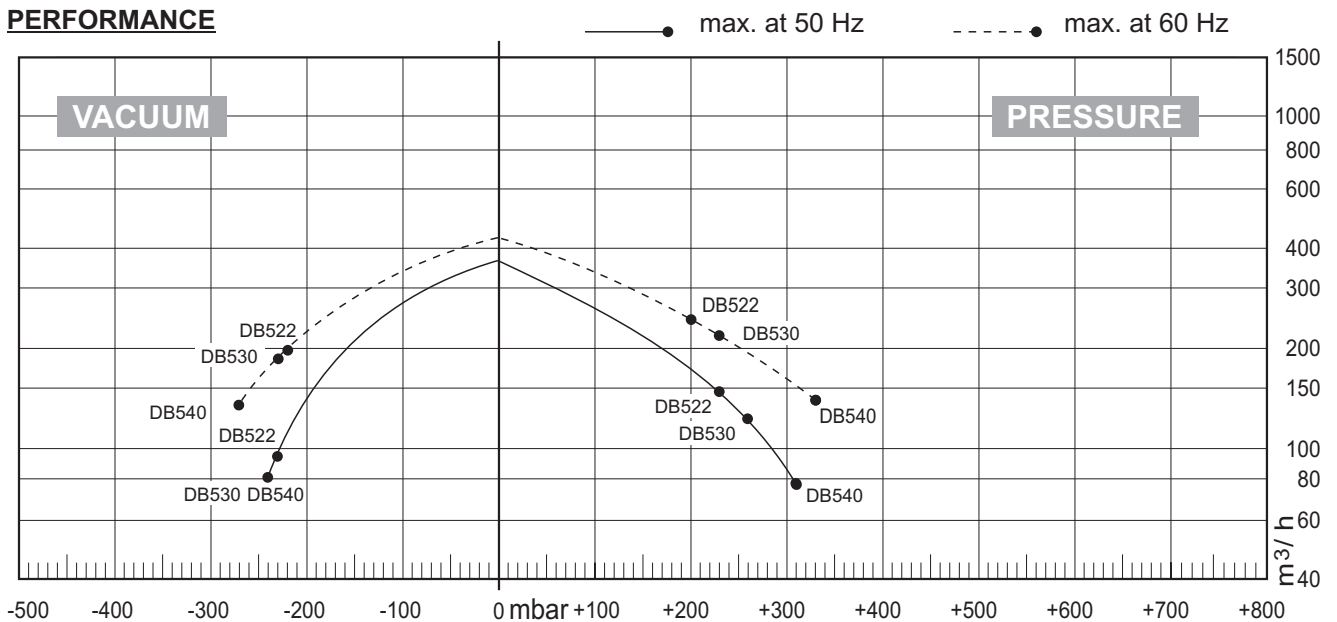


TECHNICAL DATA

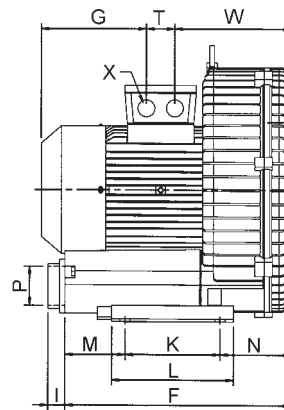
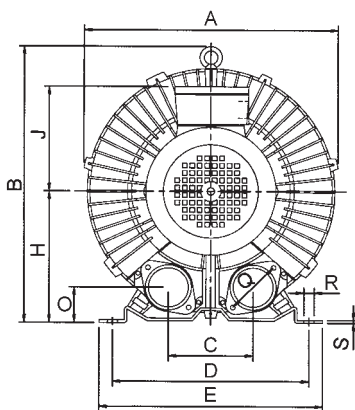
		50 Hz		60 Hz	
Power	DB 522	2.2	kW	2.6	kW
	DB 530	3.0	kW	3.7	kW
	DB 540	4.0	kW	4.6	kW
Voltage	DB 522	230/400	V	230/400	V
	DB 530	230/400	V	230/400	V
	DB 540	400/690	V	400/690	V
Current	DB 522	9.0/5.2	A	11/6.2	A
	DB 530	12/6.8	A	14/7.8	A
	DB 540	7.6/4.4	A	9.8/5.7	A
Revolutions		2900	/min	3500	/min
Noise level		72	dB(A)	77	dB(A)
Protection class		IP 54		IP 54	
Weight	DB 522	32	kg	32	kg
	DB 530	35	kg	35	kg
	DB 540	38	kg	38	kg



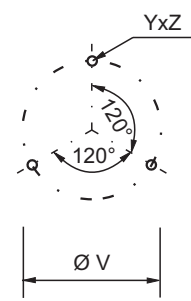
PERFORMANCE



DIMENSIONS



Dimensions in mm



A	B	C	D	E	F	G	H	I	J	K	L
383	415	125	290	330	338	157	196	25	160	140	180
M	N	O	P	Q	R	S	T	V	W	X	YxZ
92	106	51	2"	83	4xØ15	4	42	240	172	3/4"	M8x15