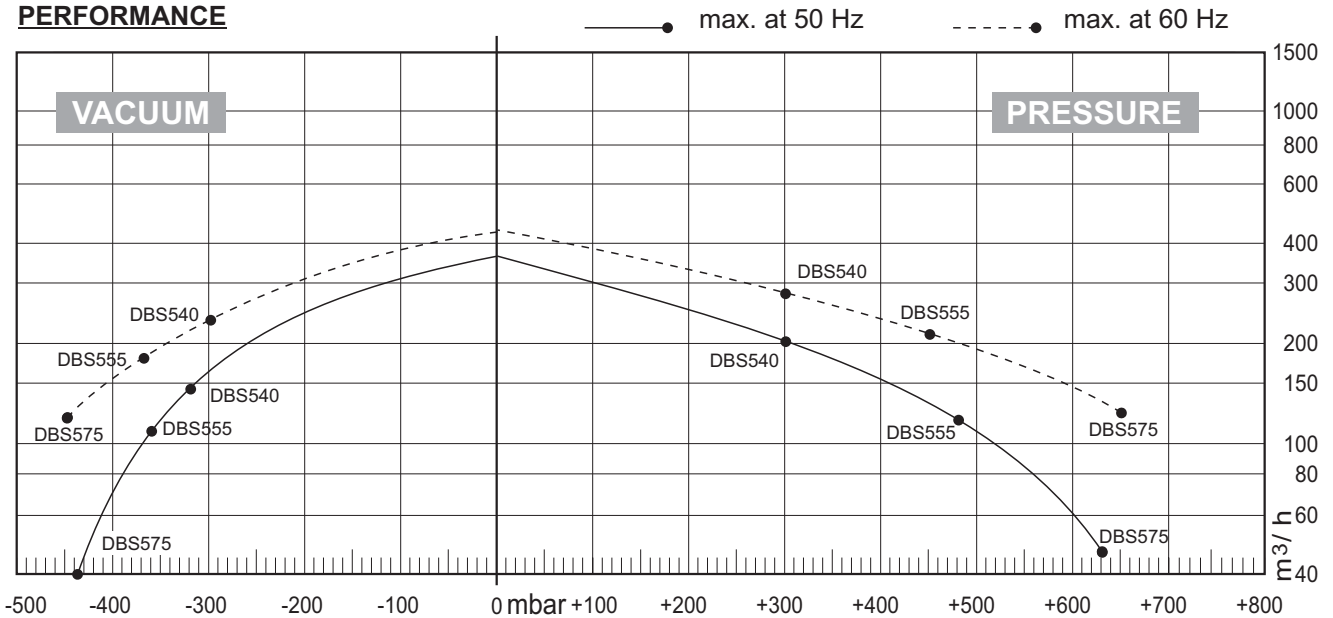


**TECHNICAL DATA**

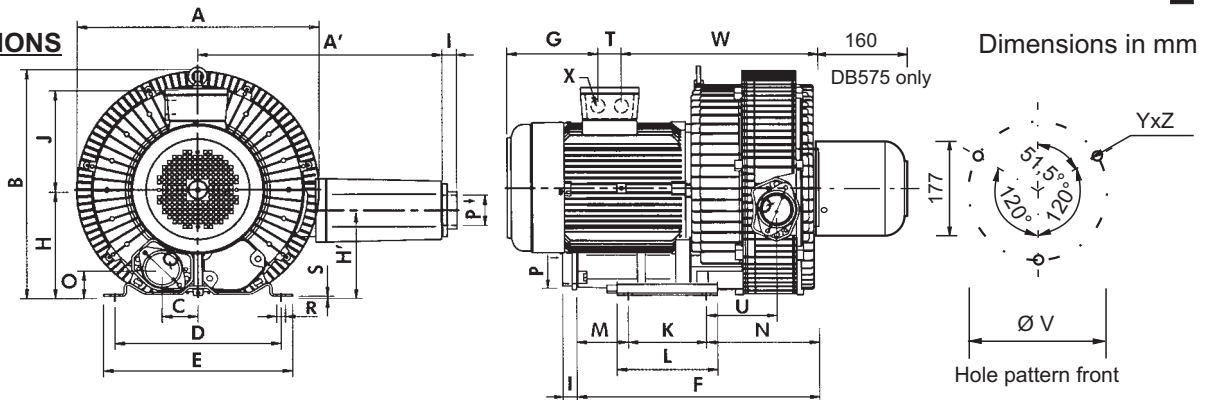
		50 Hz		60 Hz	
Power	DBS 540	4.0	kW	4.6	kW
	DBS 555	5.5	kW	6.5	kW
	DBS 575	7.5	kW	9	kW
Voltage	DBS 540	400/690	V	400/690	V
	DBS 555	400/690	V	400/690	V
	DBS 575	400/690	V	400/690	V
Current	DBS 540	7.6/4.4	A	9.3/5.4	A
	DBS 555	11/6.4	A	14/8.1	A
	DBS 575	14/8.0	A	16/9.2	A
Revolutions		2900	/min	3500	/min
Noise level		75	dB(A)	79	dB(A)
Protection class		IP 54		IP 54	
Weight	DBS 540	55	kg	55	kg
	DBS 555	72	kg	72	kg
	DBS 575	80	kg	80	kg



**PERFORMANCE**



**DIMENSIONS**



	A	A'	B	C'	D	E	F	G	H	H'	I	J	K	L
DBS540	424	427	415	62.5	290	330	434	156.5	196	158	25	160	140	180
DBS555/575								163				180		
	M	N	O	P	Q	R	S	T	U	V	W	X	YxZ	
DBS540	92	202	51	2"	83	4xØ15	4	42	126.5	240	267.5	3/4"	M8x15	
DBS555/575											352.5			