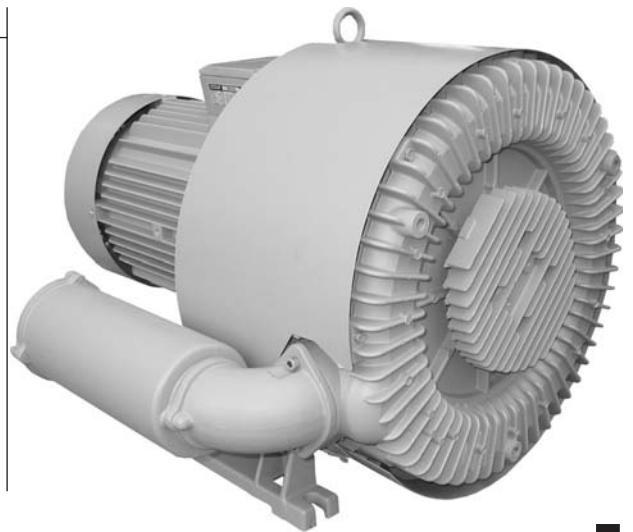
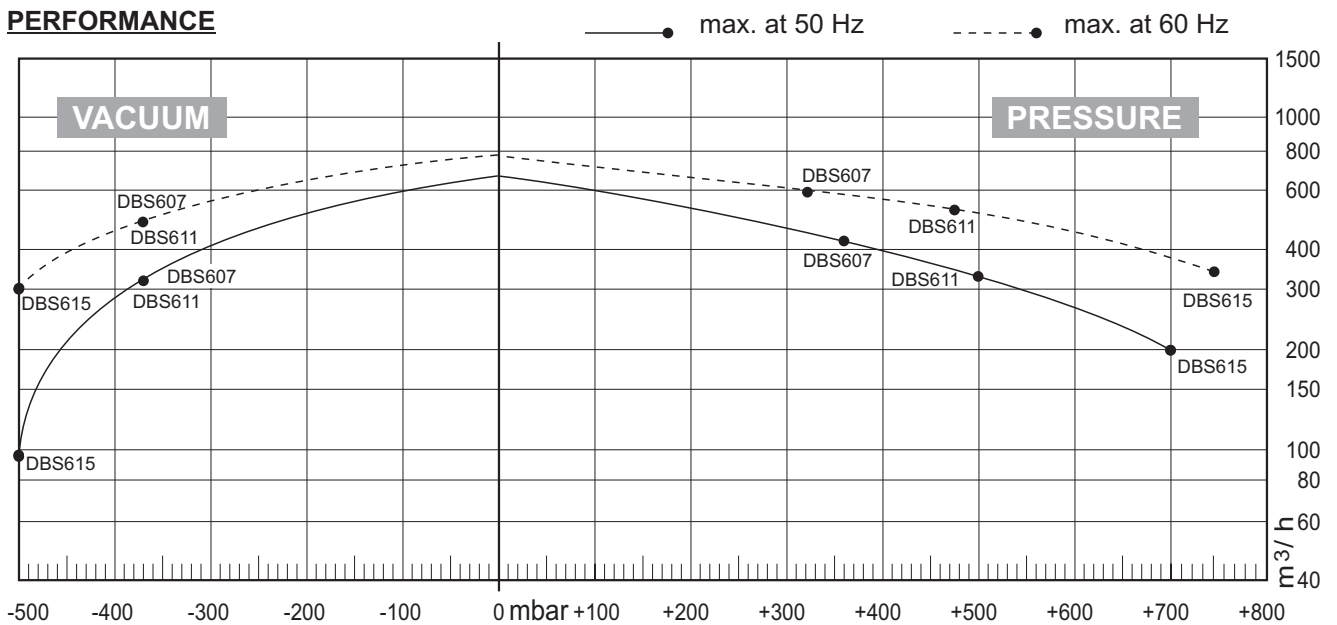


TECHNICAL DATA

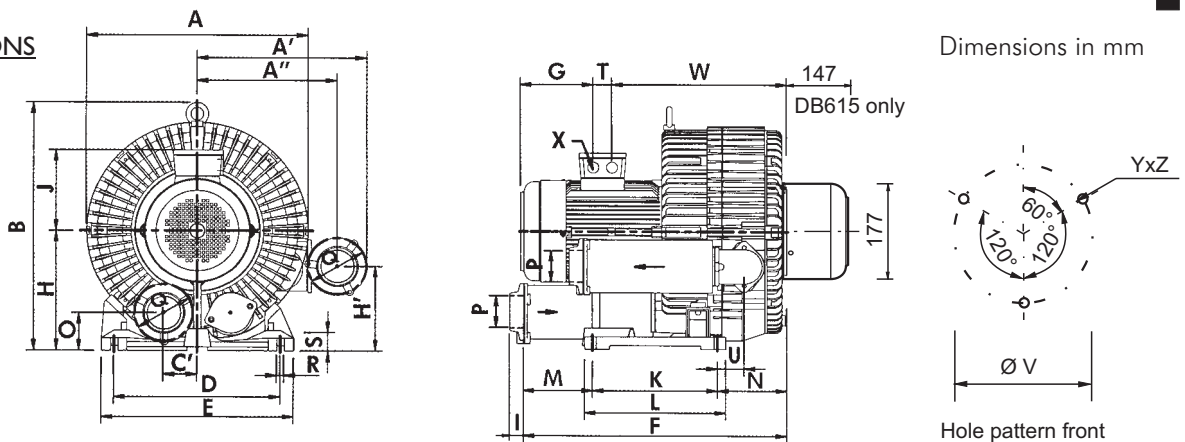
		50 Hz		60 Hz	
Power	DBS 607	7.5	kW	9.0	kW
	DBS 611	11	kW	13	kW
	DBS 615	15	kW	18	kW
Voltage	DBS 607	400/690	V	400/690	V
	DBS 611	400/690	V	400/690	V
	DBS 615	400/690	V	400/690	V
Current	DBS 607	16/9.2	A	19/11	A
	DBS 611	22/13	A	25/14	A
	DBS 615	30/17	A	35/20	A
Revolutions		2900	/min	3500	/min
Noise level		76	dB	81	dB(A)
Protection class		IP 54		IP 54	
Weight	DBS 607	112	kg	112	kg
	DBS 611	142	kg	142	kg
	DBS 615	160	kg	160	kg



PERFORMANCE



DIMENSIONS



	A	A'	A''	B	C'	D	E	F	G	H	H'	I	J	K
DBS607	486	372	307	556	73.5	365	422	590	163	270	190	31	180	280
DBS611/615					144			700	313				211	
	L	M	N	O	P	Q	R	S	T	U	V	W	X	YxZ
DBS607	316	155	155	84	2 1/2"	128	4xø16	28	42	60	408	392	3/4"	M12x15
DBS611/615		265		109					55			379	1"	